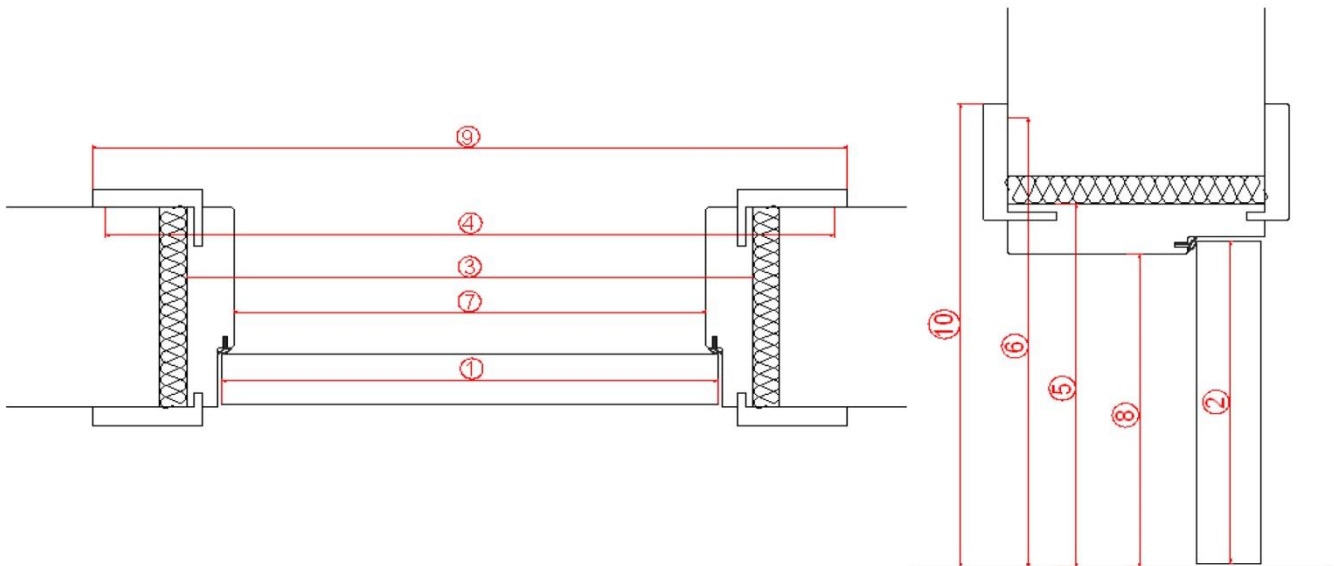


Graefe recommends the use of construction foam during frame installation which provides tolerance within the structural opening, allowing consistent door sizes to be specified even when openings vary slightly.



	1	2	3	4	5	6	7	8	9	10
	Door	Door Height	Min Width Structural Opening	Max Width Structural Opening	Min Height Structural Opening	Max Height Structural Opening	Width Free Passage	Height Free Passage	Total Width with Architraves	Total Height with Architraves
1 DOOR SET	610	1981	666	736	2019	2051	596	1981	776	2071
	686	1981	742	812	2019	2051	672	1981	852	2071
	762	1981	818	888	2019	2051	748	1981	928	8071
	838	1981	894	964	2019	2051	924	1981	1004	8071
	813	2032	869	939	2070	2102	799	2032	979	2122
	626	2040	682	752	2078	2110	612	2040	792	2130
	726	2040	782	852	2078	2110	712	2040	892	2130
	826	2040	882	952	2078	2110	812	2040	992	2130
	926	2040	982	1052	2078	2110	912	2040	1092	2130

NOTE: ALL DIMENSIONS ARE BASED WITH 70MM ARCHITRAVE